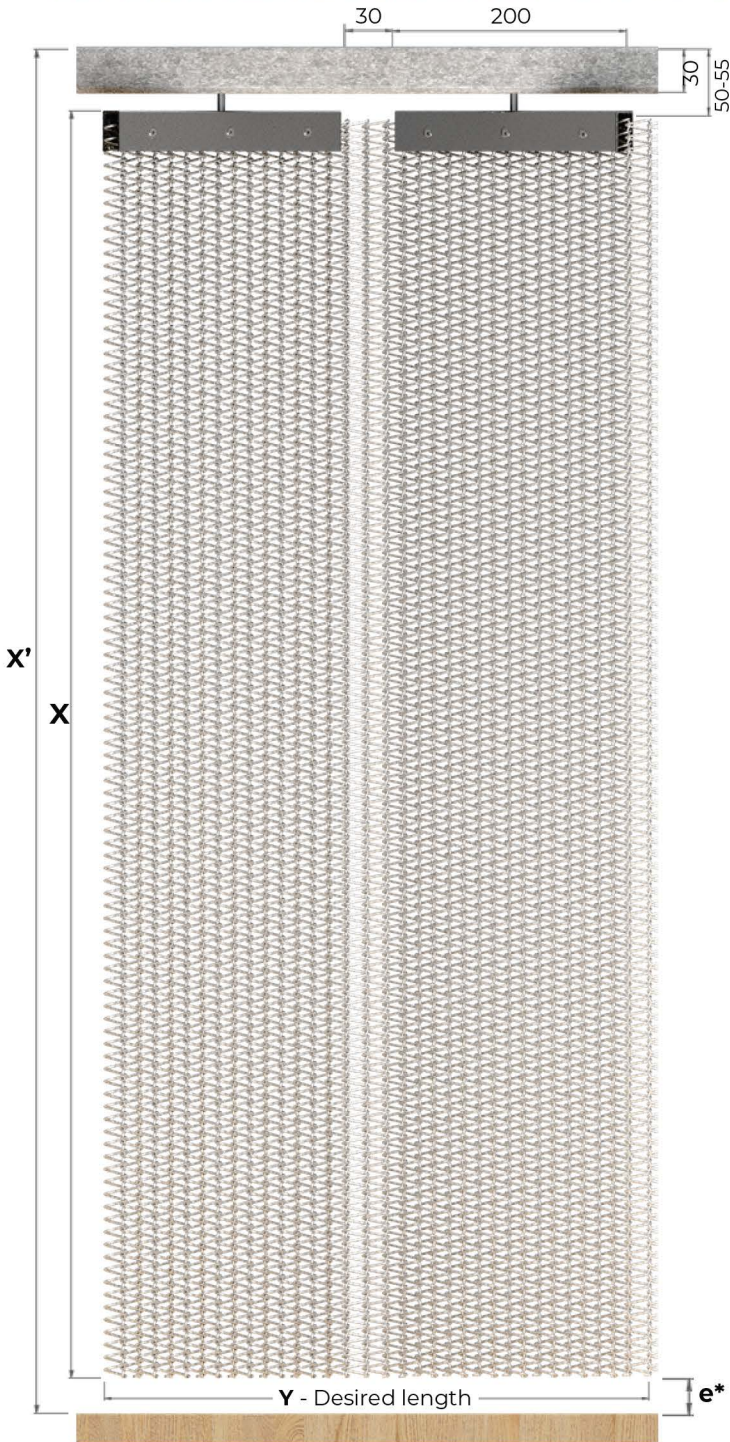


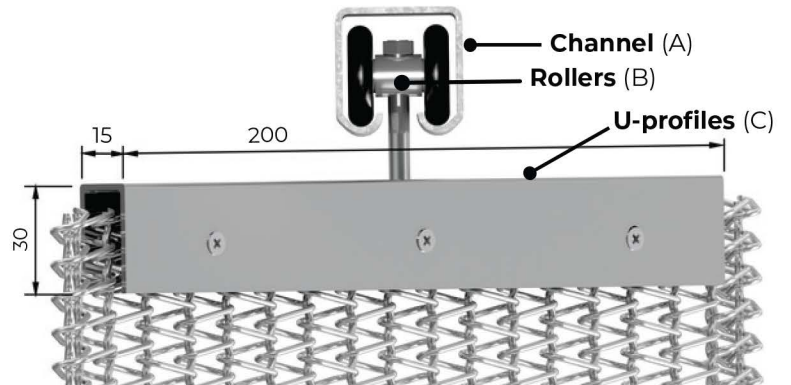
SUITABLE FOR: DELTA 12R, DELTA 24RG, DRIFT, RIPPLE(R)



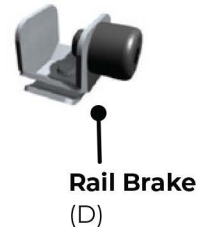
FOLD FLEXIBLE SYSTEM

The flexible mesh **FOLD** system creates a unique function and aesthetic to a metal drapery application. The articulating form of the mesh when fully extended creates a transparent textured surface that can define a space.

When collapsed, the system stacks the mesh into a densely organized grouping.



- A- Galvanized steel 30x30 Channel
- B- Rollers
- C- SS U-Profile
- D- Internal rail brake



Information required to quote:

X - Mesh manufacturing height

or

X' - Distance between supporting structure and ground

Y - Desired Length (Distance of the area that needs coverage)
 -We will add 8% to the Y dimension to compensate for the cumulative unsupported sections of the mesh).

e*: We recommend leaving at least 25 mm



* All dimensions are in mm